



EXC SYSTEME

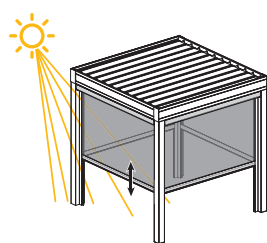
SOLUTIONS FOR YOUR OUTDOOR LIVING SPACE

ÉCLIPSE S

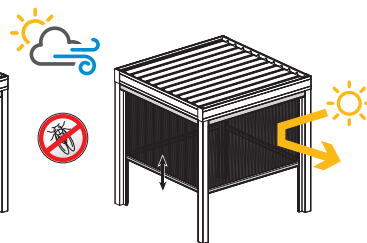
MOTORIZED SCREENS AND SHADES



- Motorized fabric system provides protection from sun, wind and insects, allowing you to get the most out of your outdoor space
- Different types and colors of mosquito, solar and vinyl screens available
- Available motorized system (1.6 A / 110 V) and remote controlled
- Ideal system for large openings
- Fabric to cover up to 4.8 meters wide by 2.75 meters high (16 feet x 9 feet)
- Durable and easy to maintain aluminum structure and components
- Various configurations and layouts allow you to harmonize with your new or existing structure
- Tailor-made production
- Sleek and modern design



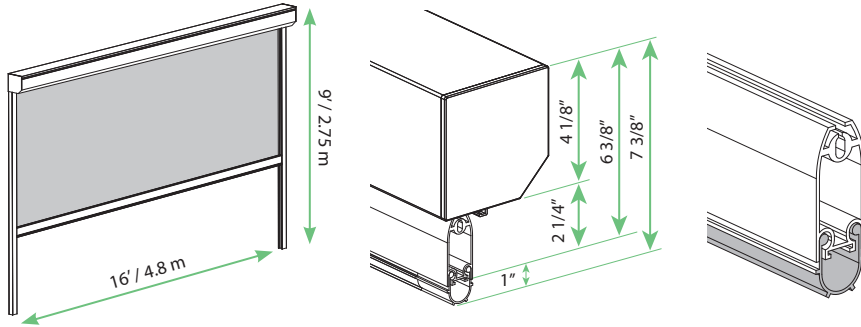
Mosquito screen



Sun shade

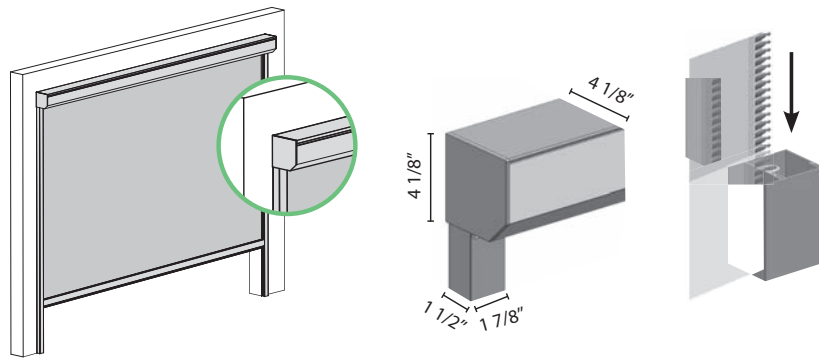
SYSTEM OPERATION

The fabric system is inserted into side slides using a zipper mechanism that provides a lateral seal against insects.



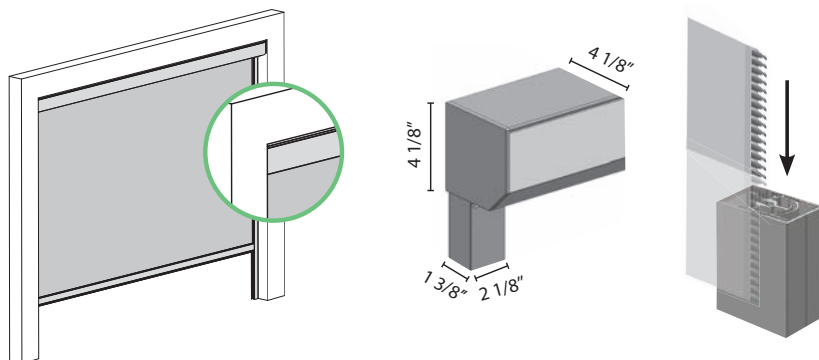
SURFACE MOUNT INSTALLATION

Installing the ECLIPSE on the wall allows the aluminum boxes and slides to be installed on the face of the beam and columns of the existing structure.



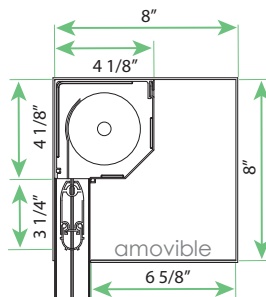
FLUSH MOUNT INSTALLATION

Reveal mounting allows the housing to be installed under the roof beam and the rails inside the columns.



BUILT-IN INSTALLATION

The built-in installation integrates and conceals the entire housing and slides in the columns and roof of your outdoor space, making the system invisible.



STANDARD FINISHES



Personalized colors available

EXOSYSTEME
OUTDOOR LIVING SPACE

110-1440 Boul. de l'Innovation
Bromont, QC J2L 0J8
T 450 919 3232
E info@exosysteme.com

f exosystemecanada
in exosystème
@ exosysteme
www.exosysteme.com