

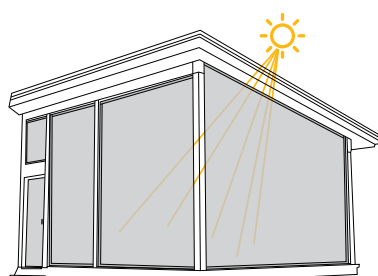


SOLSTICE

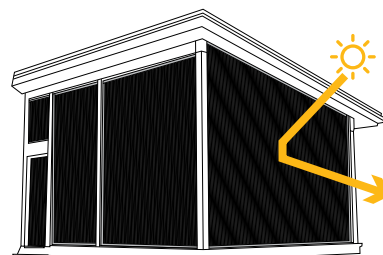
FIXED SCREENS AND SHADES



- Fixed screens and shade system offering protection against sun, wind and insects, lets you make the most of your outdoor space
- Different types and colours of mosquito, sun and vinyl screens available
- Sleek and modern design to match the motorized retractable systems of ECLIPSE and ECLIPSE S
- Able to cover various shapes
- System can cover up to 4.8 metres wide by 3 metres high (16 feet x 10 feet) without crossbar
- Durable and easy to maintain aluminum structure and components
- Different configurations and layouts fit right in with your existing structure or construction
- Custom-made production



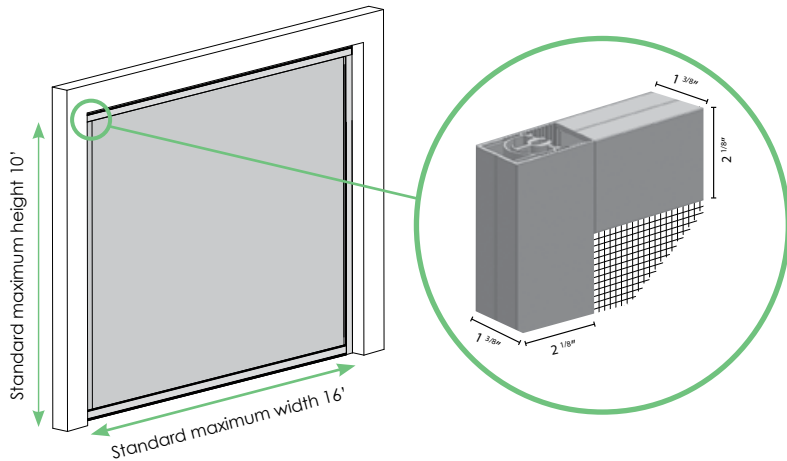
Mosquito screen



Sun shade

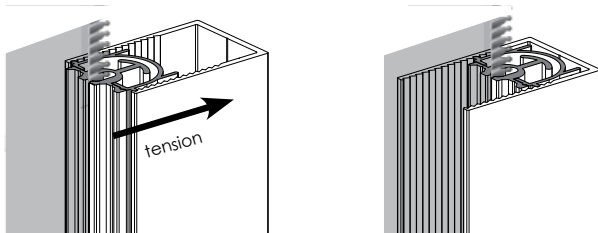
SYSTEM OPERATION

The SOLSTICE consists of an aluminum frame installed around the periphery of the opening and in which a mosquito or sun screen is fitted.



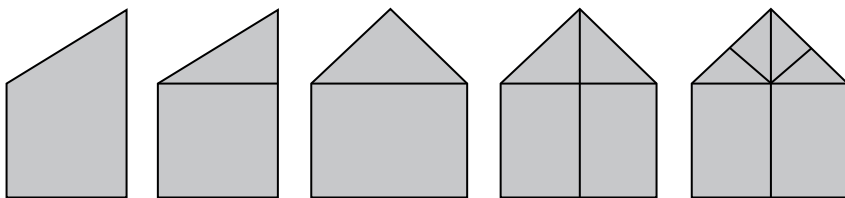
SYSTEM SPECIFICS

The aluminum frame consists of a tension and retention system that allows the fabric to be easily adjusted and kept taut over time.

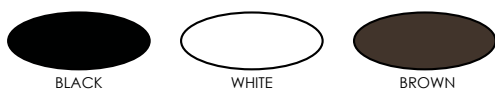


MODULAR SYSTEM

Several SOLSTICE systems can be combined or integrated with other EXOSYSTEME products, allowing different shapes to be covered and to offer a multitude of configurations.



STANDARD FINISHES



Custom colours are available

EXOSYSTEMÈ
SOLUTIONS FOR YOUR OUTDOOR LIVING SPACE



699 Moeller Street
Granby, QC J2G 8T8
T 450 361 0722
E info@exosysteme.com

f exosystemequebec
in exosystème
@ exosysteme
exosysteme.com