



# EXC SYSTEME

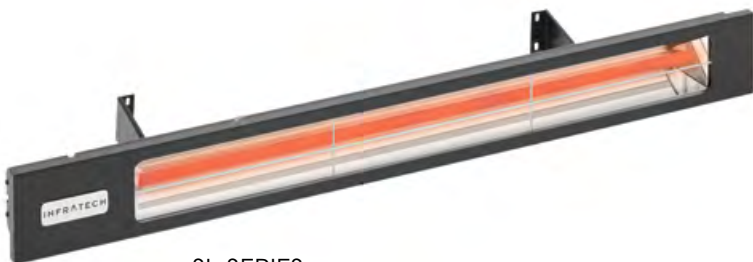
SOLUTIONS FOR YOUR OUTDOOR LIVING SPACE

## INFRATECH

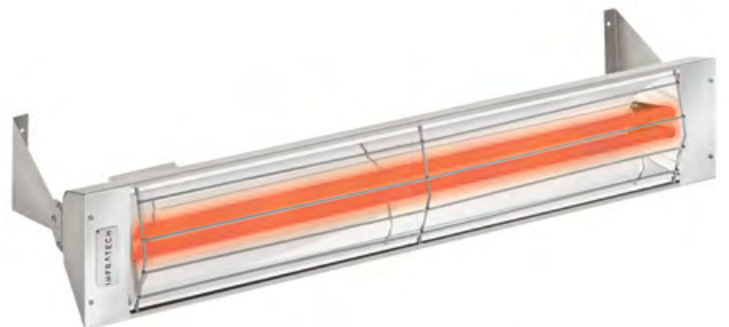
### ELECTRIC INFRARED HEATING SYSTEMS



- Heated quartz elements emit a safe, clean wavelength of light that is only absorbed by solid objects, transferring heat directly to a person, table or floor rather than heating the air
- Medium-wave quartz elements operate without emitting red light, odour or greenhouse gases
- Minimal clearance requirements
- INFRATECH heaters convert over 90% of input energy directly into radiant heat. Traditional gas-fired heaters are often less than 50% efficient
- Are virtually maintenance-free
- Offer infinite heat intensity control with timer and remote options



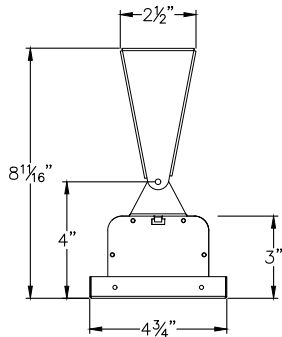
SL-SERIES



W & WD-SERIES

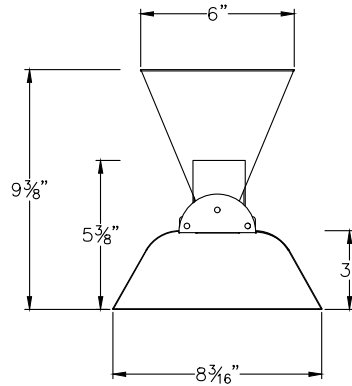
## SL-SERIES

The SL model is designed with a low profile that can be mounted up to 11'. The housing body and mounting brackets come with a stainless hue anodized aluminum finish or black finish.



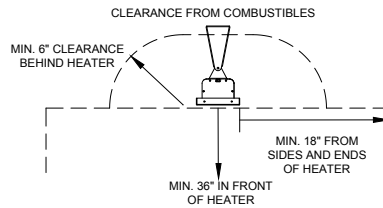
## W & WD-SERIES

The W model features durable stainless steel construction, minimal clearance requirements, recessed mounting options and short standoffs. WD dual element produce more intense heat and can be mounted up to 14'.



## CLEARANCE REQUIREMENTS

Infratech electric heaters have a smaller, sleeker profile than typical gas infrared heaters.



## CONTROLS



### On / Off Switch

Low cost control option for all single element heaters.



### Duplex Stack Switch

For all dual element heaters. Ability to turn on and off each element independently, providing half power/full power capabilities.



### INF Input Regulator

For all single element heaters up to 3000 watts. Not a dimmer - INF gently cycles the heater on/off at regular intervals when not on full power.



### Home Management

This control option allows for user the ability to save preferred heat settings for off-site control via mobile device, control zones, heat intensity, timer functions, and more!

Series	Models	Elements	Colours	Dimensions	Watts	Volts	Amps	Installation	Mounting Height	Heat Coverage Area	Value Controls
SL	3024	Single	Stainless Black	63 1/2"	3000W	240	12.5	Wall Ceiling	7' - 9'	8' x 8'	On / Off Switch INF Input Regulator
	4024	Single	Stainless Black	63 1/2"	4000W	240	16.7	Wall Ceiling	8' - 11'	10' x 10'	On / Off Switch
W	3024	Single	Stainless	61 1/4"	3000W	240	12.5	Wall Ceiling Flush Mount	7' - 9'	8' x 8'	On / Off Switch INF Input Regulator
WD	5024	Dual	Stainless	39"	5000W	240	20.8	Wall Ceiling Flush Mount	8' - 12'	9' x 10'	On / Off Switch Duplex / Stack Switch
	6024	Dual	Stainless	61 1/4"	6000W	240	25	Wall Ceiling Flush Mount	10' - 14'	11' x 11'	On / Off Switch Duplex / Stack Switch

**EXOSYSTEME**

SOLUTIONS FOR YOUR OUTDOOR LIVING SPACE

699 Moeller Street  
Granby, QC J2G 8T8  
T 450 361 0722  
E info@exosysteme.com

f exosystemequebec  
in exosystème  
@ exosysteme  
exosysteme.com